

# KOMPACT

T H E   V E R S A T I L E   S O L U T I O N



# KOMPACT

Kompact is the ideal examination table for all your needs. If you have a small exam room, if you perform a variety of exams, if you want to optimise the time you spend with your patients and make it easy for them to get on and off your examination table, then the Kompact is for you. It features sitting and lying positions, numerous storage spaces, integrated stirrups and many accessories so you can perform a full examination, all on a 1m3 table. Make your life easier, choose the Kompact.



## MODELS

235-10	KOMPACT
235-15	KOMPACT WITH BLOCK N' ROLL*
235150-70	OPTIMUM COMFORT SEAMLESS UPHOLSTERY**

\* BLOCK N' ROLL: sistema de ruedas integradas en la camilla que facilitan su desplazamiento para las tareas de limpieza (se prohíbe el traslado de pacientes)

\*\* Anchura 72 cm, compatible con los dos modelos existentes, se piden por separado y se suministra desmontada.



## **EQUALITY OF TREATMENT**

### **MAKE THINGS EASIER FOR YOUR PATIENTS WITH LIMITED MOBILITY WITH:**

- › Integrated retractable footstep : height 23 cm
- › Height of 61 cm from step to seat
- › Effortless transition from the sitting to lying position thanks to the integrated leg rest extension

### **EXAMINE YOUR PATIENTS EASILY:**

- › Patient weight capacity up to 250 kg
- › Upholstery width 72cm



## **EFFICIENCY**

### **PERFORM YOUR EXAMINATIONS MORE EASILY:**

- › Comfortable sitting position (representing 80% of exams)
- › 4 drawers to keep everything you need close at hand
  - 2 pass-through side drawers, accessible from both sides (enabling you to place the table in the middle of the exam room)
  - 2 front drawers
- › integrated retractable stirrups
- › Pelvic tilt (7 degrees)

### **CLEAN YOUR EXAM TABLE EASILY THANKS TO:**

- › One-piece drawers made of easy-to-clean ABS
- › Removable upholstery
- › All surfaces are easily accessible for cleaning
- › A large capacity paper roll holder integrated on the backrest  
Maximum length 50cm - Diameter 20cm
- › A removable, sterilisable ABS gynaecology tray



## **ERGONOMICS**

### **SAVE SPACE THANKS TO:**

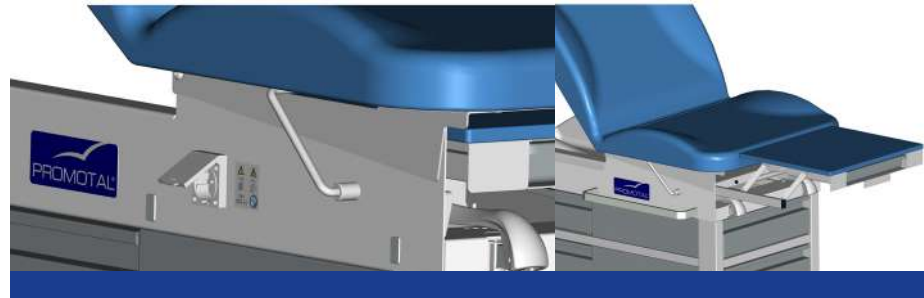
- › A compact table (less than 1 m<sup>3</sup>)
- › A large and versatile range of positions (gynaecological, sitting, lying)
- › Numerous storage spaces at hand
- › Integrated retractable wheels for easy movement (Block n' Roll model)

### **IMPROVE YOUR PATIENTS' COMFORT**

- › Integrated sliding leg rest extension at the same level as the seat (option)
- › Optimum comfort seat

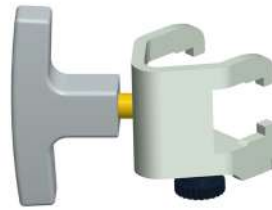
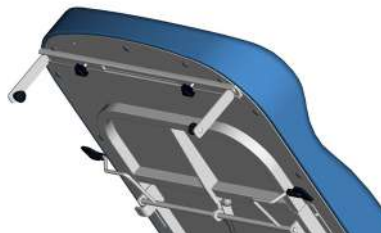
# KOMPACT

- OPTIONS
- ACCESSORIES



**REF. 240-01 EU/UK/US**  
2 INTEGRATED POWER PLUGS, ONE ON EACH SIDE, EU/UK/US

**REF. 272-01**  
INTEGRATED SLIDING LEG REST ON THE SAME LEVEL AS SEAT

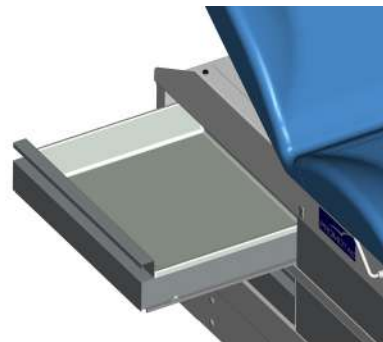


**REF. 278-01**  
PAIR OF RAILS  
25X10 MM

**REF. 2056-02**  
ADJUSTABLE PAPER  
ROLL HOLDER  
(350-800MM)

**REF. 878-12**  
SLIDING CLAMP FOR RAIL  
25X10 MM,  
Ø 16/18 MM

**REF. 879-10**  
ROTATING CLAMP  
FOR RAIL  
25X10 MM



**REF. 236-01**  
ARMREST FOR  
KOMPACT  
(+ 878-12)

**REF. 2537**  
ARMREST COVERT FOR  
MODEL 2536 (1 UNIT)

**REF. 239-15**  
2 PLASTIC PANS  
FOR DRAWERS

**REF. 239-10**  
BACK PAN FOR PAPER  
ROLL STORAGE



**REF. 245-01**  
PAIR OF GOEPLE  
LEG RESTS  
(+ 2x 878-12)

**REF. 2985-01**  
SELF-LOCKING SERUM  
HOLDER ROD 2 HOOKS  
(+ 878-12)

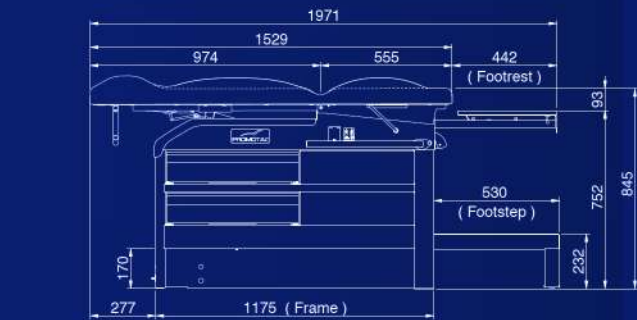
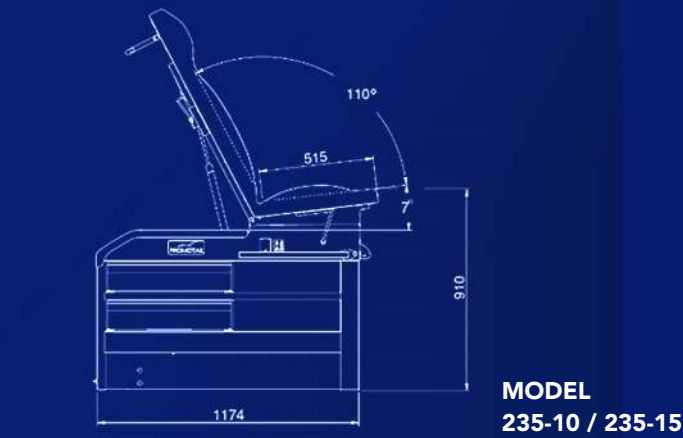
**REF. 985-01**  
SERUM HOLDER ROD 2  
HOOK WITH STOP  
(+ 878-12)

**REF. 295-01**  
LAMP SUPPORT  
FOR RAIL\* 25X10 MM

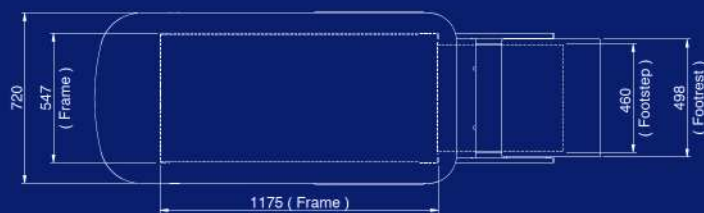
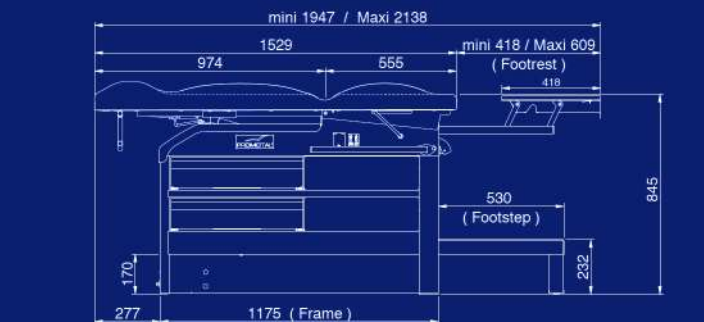
\* to select a light, please refer to the specific documentation



NET WEIGHT : 125 kg  
 GROSS WEIGHT : 159 kg  
 PACKAGE VOLUME : 1,29m<sup>3</sup>



**MODEL**  
**235-10 / 235-15 + Option 272-01**



UPHOLSTERY COLOURS

- |                 |  |         |
|-----------------|--|---------|
| 32 - BLUE       |  | CLASSIC |
| 93 - COTTAGE    |  |         |
| 35 - RED        |  |         |
| 34 - YELLOW     |  |         |
| 91 - WHITE      |  |         |
| 92 - MARINE     |  | VITAMIN |
| 56 - DARKNESS   |  |         |
| 57 - ANTISTATIC |  |         |
| 64 - GRAPE      |  |         |
| 67 - LAGOON     |  | COSY    |
| 66 - SWEET      |  |         |
| 63 - CEDRAT     |  |         |
| 80 - SKY        |  |         |
| 81 - SEA GREEN  |  |         |
| 65 - LILAC      |  |         |
| 96 - TIN        |  |         |
| 82 - MOUSE GREY |  |         |
| 83 - NATURAL    |  |         |
| 84 - CHOCOLATE  |  |         |

# KOMPACT



22 rue de Saint-Denis-de-Gastines - 53500 Ernée, FRANCE  
 Phone : + 33 (0)2 43 05 17 76  
 Fax : + 33 (0)2 43 05 72 00

