

RODENSTOCK Instruments



Making analysis
fashionable

PRO Series

Refraction Units

R RODENSTOCK

The PRO Series: Function meets design



”

These refraction units are the best example of how usability and elegant design work hand-in-hand.

“

What are your benefits?

Functionality, clean contours, and attractive design – refraction units that are perfectly matched to the devices from RODENSTOCK Instruments. See what they all have in common:



Perfect fit

The best solution for every room size. Right- or left-handed installation possible.



Easy touch control

Switch the devices on/off via the touch pad



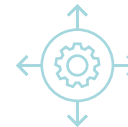
Quality and style

Proven quality meets fresh design



Stability and safety

Thanks to the solid steel base plate



Single source

One provider with numerous compatible devices



Comfortable operation

Electrical height control and reclining system for the patient chair

Designed to meet all
your expectations.

The PRO 80

Whether you're equipping a pre-testing room, a second room for refraction, or a room for paediatric medicine, the PRO 80 refraction unit suits for a wide range of purposes in even the smallest spaces.

☆ Perfect base

This compact refraction unit can be optimally extended. Choose the appropriate phoropter head and phoropter arm, or complement your PRO 80 with a trial lens cabinet or control board stand.

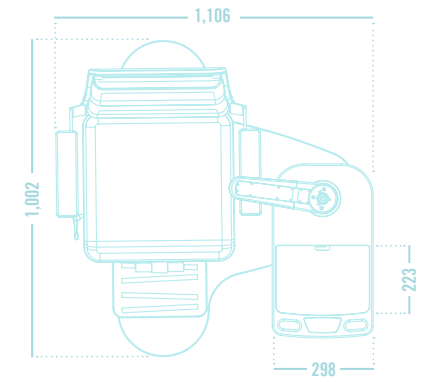
☆ Space-saving hero

If you're looking for a space-saving solution, the small, smart, and easy-to-install PRO 80 refraction unit definitely meets your expectations.



SPECIFICATIONS

Table	Fixed table tray for lightweight equipment (not for ophthalmic devices)
Max. load capacity (table)	5 kg
Patient chair	SC 300
Patient chair elevation	±20 cm
Patient chair inclination	n. a.
Max. load capacity (chair)	120 kg
Projector column height	176 cm/±1.5 cm
Connectors	2 power outlets (230 V)
Reading light	White LED 12 V
Power consumption	90 VA
Power supply	100-240 V ~ 50-60Hz



The PRO 500

For convenient daily use:
the PRO 500 refraction unit features a practical, modern, and ergonomic design. It offers a wide range of functionalities and fulfils all requirements for connecting RODENSTOCK Instruments equipment.

☆ Attractive combination

This refraction unit is designed for the demands and expectations of customers who want to maintain a balance between space and connectivity without missing out on an attractive design.

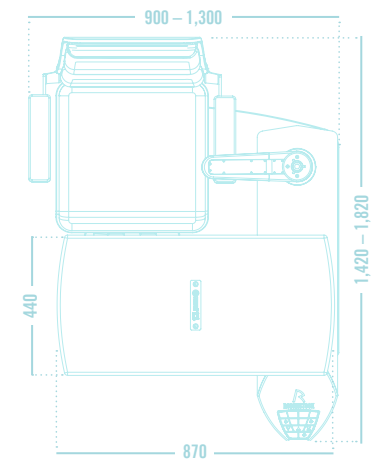
☆ Talented beauty

The PRO 500 is an elegant basic model that's fast and easy to install. The column comes with a fashionable overhead light. Choose the phoropter arm that best suits your needs.



SPECIFICATIONS

Table	Rotating 90°, laterally movable, for 2 devices
Table lock	Magnetic
Max. load capacity (table)	45 kg (25/20 kg)
Patient chair	SC 300
Patient chair elevation	±20 cm
Patient chair inclination	n. a.
Max. load capacity (chair)	120 kg
Projector column height	176 cm/±1.5 cm
Connectors	2 power outlets (230 V) 1× RS-232, 1× 6-pin (6 V/12 V) 1× LAN, 1× USB 2.0
Reading light	Cold-white LED 12 V
Internal light	Cold-white LED 12 V
Power consumption	150 VA
Power supply	110/115 V AC/230 V AC ±10%



The PRO 1000 / EVO

If you are looking for a refraction unit that meets all your needs, the PRO 1000/EVO is the right choice. With the internal LED light you may even illuminate the base plate with bright colours – matching your individual interior. Further, the integrated drawer with notched frame offers space for trial lenses.

☆ High-end solution

Thanks to the preinstalled connectors and potentiometer, equipment from RODENSTOCK Instruments is easy to install on the refraction unit. This extends the scope of the diagnostic tests you can perform. The tabletop's safety sensor system protects the customer from unexpected contacts with the table.

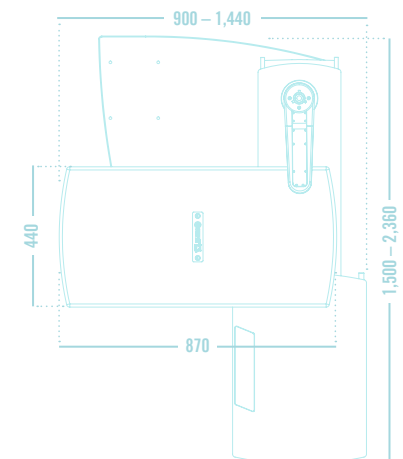
☆ Versatile and flexible: PRO 1000 EVO

Enjoy even more benefits with the PRO 1000 EVO model. It is equipped with an electric height-adjustable table. There's also an optional rotatable patient chair ER 500R that turns 90° to the side.



SPECIFICATIONS

Table	Rotates 90°, laterally movable, for 2 devices
Table height adjustment	Electrical ± 10 cm, 82–92 cm (PRO 1000 EVO only)
Table lock	Magnetic
Max. load capacity (table)	45 kg (25/20 kg)
Patient chair	ER 500 optional: ER 500R (for EVO only)
Patient chair elevation	± 20 cm
Patient chair inclination	up to 33°
Max. load capacity (chair)	120 kg
Projector column height	176 cm/ ± 1.5 cm
Connectors	2 power outlets (230 V) 1x RS-232, 1x 6-pin (6 V/12 V) 1x LAN, 1x USB 2.0
Reading light	White LED 12 V
Internal light	RGB LED 12 V
Power consumption	280 VA
Power supply	110/115 V AC/230 V AC $\pm 10\%$



Optional equipment

Take a look at the supplementary products in detail.

For technical data, please contact us.



**The PC-1
Patient Chair**

is a reclinable stand-alone chair on a stable base plate. The ergonomic foot switch for motorized height adjustment can be placed based on your customer's needs. PC-1 can be used to replace seats in existing refraction units.



**The PA 1000
Balance Phoropter Arm**

is flexible in every direction. It can be adjusted to the most suitable position in front of the patient.



**The PA 3000
Linear Phoropter Arm**

handles very dynamically and extends as needed. The up and down buttons on the handlebar adjust the height of the patient chair.



**The CBS 1000
Control Board Stand**

is a compact and stable side desk that's a perfect place for the automated phoropter control board or small refraction accessories.



**The RTC 1000
Trial Lens Cabinet**

comes with four drawers: The first is equipped with an inlay for placing trial lenses.

SPECIFICATIONS

PC-1	Weight: 40 kg (±10%) Dimensions WDH: 62/62 × 96/131 × 130/150 cm (±1 cm) Min./max. height of seat: 55/75 cm (±1 cm) Max. scope of the tilting angle: 33° (±1 cm) Max. load capacity: 150 kg (±10 kg)
PA 1000	Min. 46 cm/max. 77.5 cm
PA 3000	Min. 48.5 cm/max. 110 cm (tolerance +/- 0.5 cm)
CBS 1000	Height 75.5 cm, table top 26.5 × 28.5 cm, bottom plate 30 × 30 cm
RTC 1000	Dimensions WDH: 54 × 52 × 72 cm

RODENSTOCK Instruments

Wiesbadener Strasse 21
90427 Nürnberg, Germany
Phone +49 (0)911 938 546 2777
Fax +49 (0)911 938 546 220
info@rodenstock-instruments.de
www.rodenstock-instruments.de

Rodenstock Instruments is a
business unit of Tomey GmbH

